

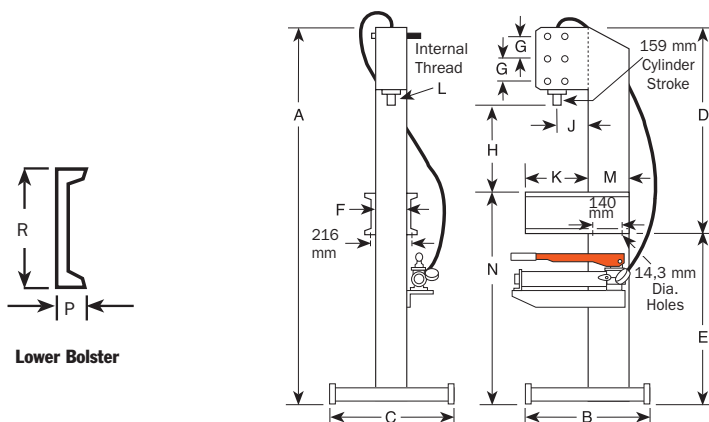
Shop Press C FRAME

25 Tons
Press

SHOP EQUIPMENT



- Can be bench mounted or on optional pedestal base.
- Bench mount requires less than 1.4 sq. m. of space; on optional pedestal, only 0,4 sq.m. of floor space is needed.
- "Open Throat" design makes loading and unloading of work easy.
- Cylinder head adjusts to three convenient working positions, providing up to 514 mm of "daylight."
- Hydraulic cylinder delivers a 159 mm stroke, is driven by a P59 two-speed hand pump.
- **Pedestal Base No. 60846** – Provides a stable base for SPM256C. Includes a bracket for mounting the pump on the side of pedestal press. Wt., 34,5 kg.



DIMENSIONS

| A | B | C | D | E | F | G | H (Cyl. Retracted) | J | K | L | M | N | P | R | Floor Space |
|-------|------|------|-------|------|------|------|--------------------|------|------|------------|------|-------|------|------|-------------|
| (mm) | (mm) | (mm) | (mm) | (mm) | (mm) | (mm) | (mm) | (mm) | (mm) | (mm) | (mm) | (mm) | (mm) | (mm) | (mm) |
| 1.972 | 622 | 610 | 1.057 | 914 | 152 | 127 | 260, 387, 514 | 165 | 318 | 1 1/2 - 16 | 203 | 1.092 | 51 | 178 | 610 x 622 |

CE

ORDERING INFORMATION

| Capacity (tons) | Type Cyl. Used | Stroke (mm) | Cyl. Model | Order No. | Speed** Advance | Pressing | Type Pump | Pump Model | Prod.Wt. (kg) |
|-----------------|----------------|-------------|------------|-----------|-----------------|----------------|-----------|------------|---------------|
| 25 | Single-Acting | 159 | C256C | SPM256C* | 3,3 mm/ stroke | 0,8 mm/ stroke | Hand | P59 | 108 |

* SPM256C does not include No. 60846 pedestal base.

** Typical performance based on pump specifications. Actual speeds may vary with operating conditions.

- Ideal for small pressing jobs; repairing small motors, armatures, removing and installing gears, bearings, other press-fit parts.
- Bench press has 391 x 457 mm work area; floor press bed height is adjustable from 127 mm to 1.041 mm with horizontal "daylight" of 553 mm.
- Choices of power sources: single-speed hand pump, electric/hydraulic or air/hydraulic.
- Hydraulic gauges, hoses and fittings included.

Shop Press H FRAME

10 Tons Bench/Floor Press

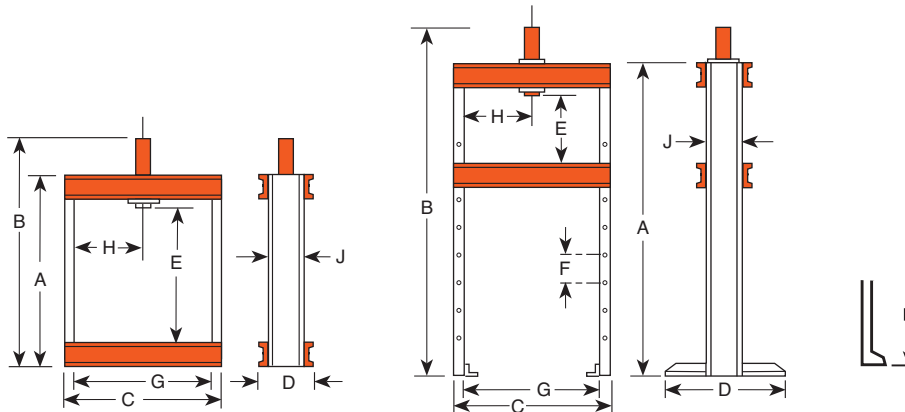
CE



SP1010A



SPM1010



DIMENSIONS

| Frame | A (mm) | B (mm) | C (mm) | D (mm) | E (mm) | F (mm) | G (mm) | H (mm) | J (mm) | K (mm) | L (mm) | Bench Space (mm) | Floor Space (mm) |
|--------------|--------|--------|--------|--------|-----------|--------|--------|-----------|--------|--------|--------|------------------|------------------|
| Bench | 622 | 841 | 641 | 182 | 391 | — | 559 | 279 | 102 | 40 | 102 | 182 x 641 | — |
| Floor | 1.499 | 1.718 | 641 | 711 | 127-1.041 | 152 | 559 | 63,5-470* | 102 | 40 | 102 | — | 711 x 730 |

*Lateral head movement

ORDERING INFORMATION

| Frame | Cap. (tons) | Type of Cyl. Used | Stroke | Cylinder Model | Order No. | Speed (mm./min.)††† | Type Pump | Pump Model † | Prod. Wt. (kg) |
|--------------|-------------|-------------------|--------|----------------|-----------------|---------------------|-----------|--------------|----------------|
| 222481 Bench | 10 | Single-Acting | 257 | C1010C | SPM1010 | 1,5 mm/stroke | Hand | P55 | 41,2 |
| 222480 Floor | 10 | Single-Acting | 257 | C1010C | SPH1010 | 1,5 mm/stroke | Hand | P55 | 77,5 |
| 222480 Floor | 10 | Single-Acting | 257 | C1010C | SPE1010 | 55,7 5,1 | Elec. †† | PE172-E220 | 79,3 |
| 222480 Floor | 10 | Single-Acting | 257 | C1010C | SP1010A | 93,7 7,6 | Air | PA9H | 78,1 |
| 222480 Floor | 10 | Double-Acting | 254 | RD1010 | SPE1010D | 55,7 5,1 | Elec. †† | PE174-E220 | 87,0 |

† Optional air/hydraulic pumps available on request.

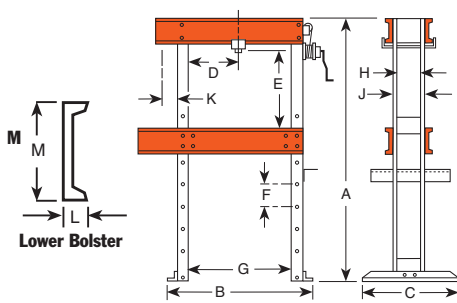
†† "Advance" position holds pressure with motor shut off. "Return" position advances cylinder with motor running and returns cylinder with motor shut off.

††† Typical performance based on 7 bar and 700 bar pump specifications. Actual speeds may vary with operating conditions.

Press H FRAME

Open Throat & Economy Press 25 Ton Presses

SHOP EQUIPMENT



CE

OPEN THROAT PRESSES

- Design permits use as both "H" frame and "C" frame press; cylinder can be mounted on frame extension to handle jobs which won't fit between uprights.
- Open throat press models are also available with remote control to enable the operator to view work from all sides with fingertip control of cylinder piston travel.
- Off-center pressing loads of full capacity can be applied across entire width of frame.

ECONOMY PRESSES

- Rugged, yet reasonably priced. Handles many "big press" tasks, and perfect for many of the "in-between" jobs you see almost daily. (Note: stroke length limited to 159 mm on economy models.)

FEATURES OF BOTH OPEN THROAT AND ECONOMY PRESSES

- Press bed height easily adjustable with winch. Bed will not drop when handle is released.
- Choice of power sources for rapid cylinder advance: two-speed hydraulic hand pump, electric/hydraulic or air/hydraulic.

PUMP ELECTRICAL SPECIFICATIONS

PE17 Series – 0,37 KW, 220 volt, 50 cycle, single phase.

DIMENSIONS

| A (mm) | B (mm) | C (mm) | D* (mm) | E (mm) | F (mm) | G (mm) | H (mm) | J (mm) | K (mm) | L (mm) | M (mm) | Floor Space (mm) |
|-----------|-----------|-----------|------------|-----------|-----------|-----------|-----------|-----------|-----------|-----------|-----------|---------------------|
| 1.727 | 1.092 | 711 | 76-737 | 175-1.102 | 114 | 813 | 140 | 165 | 178 | 64 | 203 | 1.092 x 711 |

*Lateral head movement

ORDERING INFORMATION

| Cap. (tons) | Type of Cylinder Used | Stroke (mm) | Cylinder Model | Order No. | Speed (mm/min.) ††† Advance | Pressing | Type Pump | Valve Type | Pump‡ Model | Prod.Wt. (kg) |
|------------------------------|--------------------------|----------------|-------------------|------------------|--------------------------------|-------------------|--------------|-------------------|----------------|------------------|
| "Open Throat" presses | | | | | | | | | | |
| 25 | Single-Acting | 362 | C2514C | SPA2514 | 249 | 30 | Air | 2-Way Foot | PA6 | 309 |
| 25 | Single-Acting | 362 | C2514C | SPM2514 | 12,4 mm/ stroke | 0,8 mm/ stroke | Hand | Load - Release | P159 | 314 |
| 25 | Single-Acting | 362 | C2514C | SPE2514 | 1.184 | 84 | Elec. | 2-Way†† | PE172-E220 | 301 |
| 25 | Single-Acting | 362 | C2514C | SPE2514S | 1.321 | 102 | Elec. | 3-Way† | PE172S-E220 | 344 |
| 25 | Double-Acting | 362 | RD2514 | SPE2514DS | 1.321 | 102 | Elec. | 4-Way† | PE172S-E220 | 357 |
| "Economy" presses | | | | | | | | | | |
| 25 | Single-Acting | 159 | C256C | SPA256 | 249 | 30 | Air | 2-Way Foot | PA6 | 197 |
| 25 | Single-Acting | 159 | C256C | SPM256 | 3,0 mm/ stroke | 0,8 mm/ stroke | Hand | Load - Release | P59 | 205 |
| 25 | Single-Acting | 159 | C256C | SPE256 | 1.184 | 84 | Elec. | 2-Way†† | PE172-E220 | 210 |

† Solenoid valve with 12 volt remote control hand switch.

†† Holds pressure with motor shut off. Also has an automatic dump setting. Furnished with a 3.1m remote motor control.

††† Typical performance based on 7 bar and 700 bar pump specifications. Actual speeds may vary under operating conditions.

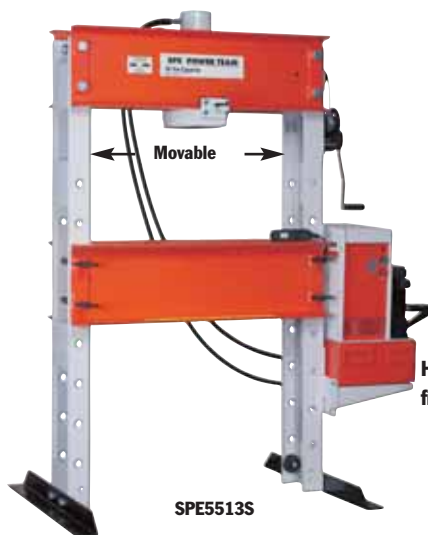
‡ Pump standard with press. Other Power Team pumps can be substituted.

dBA at idle and 700 bar: PE172-67/81 dBA; measured at 0,9 m distance, all sides.

- Full off-center pressing at full rated capacity across width of upper frame without buckling or bending.
- Maximum "daylight" is 1.067 x 914 mm, making positioning of even bulky work pieces easy.
- Height of press bed is easily adjusted with winch; friction brake prevents bed from dropping and handle from spinning upon release.
- Presses with single-acting cylinder offer choice of 2-speed hand operated, electric/hydraulic, or air/hydraulic pump. Models with double-acting cylinder have an electric/hydraulic pump.
- Press models equipped with remote control enable operator to view work from all sides with fingertip control of cylinder piston travel.
- Press can be used horizontally for special applications with user-supplied support legs.

Press H FRAME

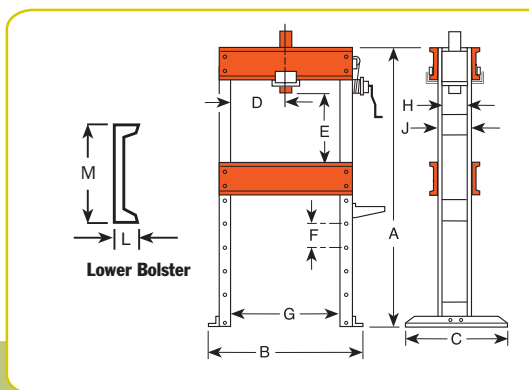
55 Ton Presses



Hydraulic gauge and hydraulic fittings are included with presses.



No. SF50 – Straightening fixtures for use with 55-ton shop or 80-ton Roll-Bed® presses (2 ea.). Wt., 47,2 kg. **Not part of press, order separately.**



CE

SHOP EQUIPMENT

DIMENSIONS

| A (mm) | B (mm) | C (mm) | D* (mm) | E (mm) | F (mm) | G (mm) | H (mm) | J (mm) | L (mm) | M (mm) | Floor Space (mm) |
|-----------|-----------|-----------|------------|-----------|-----------|-----------|-----------|-----------|-----------|-----------|---------------------|
| 1.829 | 1.232 | 914 | 83-832 | 152-1.067 | 152 | 914 | 171 | 203 | 76 | 305 | 1.232 x 914 |

*Lateral head movement

ORDERING INFORMATION

| Cap. (tons)† | Type of Cylinder Used | Stroke (mm) | Cylinder Model | Order No. | Speed (mm/min.)††† | Type Pump | Valve Type | Pump‡ Model | Prod.Wt. (kg) | |
|-----------------|--------------------------|----------------|-------------------|------------------|--------------------|-------------------|-----------------|----------------|------------------|-----|
| 55 | Single-Acting | 159 | C556C | SPA556 | 114 | 12,7 | Air | 2-Way Foot | PA6 | 318 |
| 55 | Single-Acting | 159 | C556C | SPM556 | 5,8 mm/ stroke | 0,4 mm/ stroke | Hand Release | P159 | 323 | |
| 55 | Single-Acting | 337 | C5513C | SPM5513 | 18,9 mm/ stroke | 0,7 mm/ stroke | Hand | P460 | 435 | |
| 55 | Single-Acting | 159 | C556C | SPE556 | 551 | 38 | Elec. | 2-Way†† | PE172-E220 | 333 |
| 55 | Single-Acting | 337 | C5513C | SPE5513 | 551 | 38 | Elec. | 2-Way†† | PE172-E220 | 444 |
| 55 | Single-Acting | 337 | C5513C | SPE5513S | 620 | 48 | Elec. | 3-Way† | PE172S-E220 | 478 |
| 55 | Double-Acting | 333 | RD5513 | SPE5513D | 551 | 38 | Elec. | 4-Way | PE174-E220 | 450 |
| 55 | Double-Acting | 333 | RD5513 | SPE5513DS | 1.679 | 137 | Elec. | 4-Way† | PE554S-E220 | 505 |

* Frame is shipped assembled.

† Solenoid valve with 24 volt remote control hand switch.

†† Holds pressure with motor shut off. Also has an automatic dump setting. Furnished with a 3,1 m remote motor control.

††† Typical performance based on 7 bar and 700 bar pump specifications. Actual speeds may vary with operating conditions.

‡ Pump standard with press. Other Power Team pumps can be substituted. dBA at idle and 700 bar: PE172—67/81; measured at 0,9 m distance, all sides.

H Frame Presses

100 Ton Presses

SHOP EQUIPMENT



No. SF150 – Straightening fixtures for use with 100-ton shop press and 100-, 150-, and 200-ton RollBed® presses (2 ea.). Wt., 89 kg. **Not part of press, order separately.**

- Cylinder workhead glides across upper frame on rollers, locks in place for off-center pressing jobs. May be used horizontally for special pressing applications with user-supplied supports.
- Press bed is raised and lowered by winch which locks in place for insertion of bed retaining pins. Upper bolster can be lowered 203 mm for convenient positioning on repetitive jobs.
- Generous "daylight" of 1.067 x 1.270 mm accommodates bulky work pieces, uprights are placed for easy side entry of bars or shafts for straightening or bending.
- Choice of single- or double-acting cylinder. Hydraulic pump options include: 2-speed hand pump with large 7,6 l reservoir, PE172 electric/hydraulic pump or "PQ" series "Quiet" electric/hydraulic pump with low noise level.

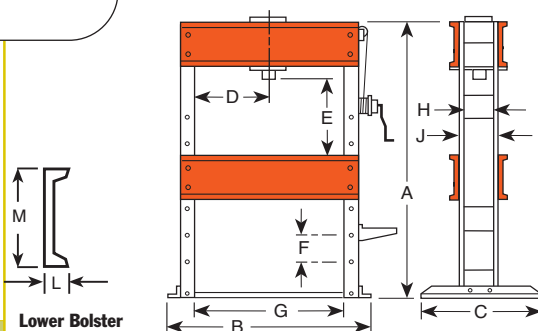


SPE10013DS
Hydraulic gauge and hydraulic fittings are included with presses.

PUMP ELECTRICAL SPECIFICATIONS

PE17 Series – 0,37 KW, 220 volt, 50 cycle, single phase. Also available in 115 volt, 60 cycle, remove suffix "-220" to order no.
PQ120 Series – 2,24 kW, 380 V, 50 Hz, three phase.

CE



DIMENSIONS

| A (mm) | B (mm) | C (mm) | D* (mm) | E (mm) | F (mm) | G (mm) | H (mm) | J (mm) | L (mm) | M (mm) | Floor Space (mm) |
|-----------|-----------|-----------|------------|-----------|-----------|-----------|-----------|-----------|-----------|-----------|---------------------|
| 1.962 | 1.626 | 914 | 178-1.092 | 51-1.067 | 203 | 1.270 | 203 | 254 | 86 | 381 | 914 x 1.988 |

*Lateral head movement

ORDERING INFORMATION

| Cap. (tons)† | Type of Cyl. Used | Stroke (mm) | Cylinder Model | Order No. | Speed (mm/min.)†† Advance | Pressing stroke | Type Pump | Valve Type | Pump‡ Model | Prod. Wt. (kg) |
|-----------------|----------------------|----------------|-------------------|-------------------|------------------------------|--------------------|--------------|---------------|----------------|-------------------|
| 100 | Single-Acting | 260 | C10010C | SPM10010 | 9,0 mm/ stroke | 0,3 mm/ stroke | Hand | 3-way | P460 | 769 |
| 100 | Single-Acting | 260 | C10010C | SPE10010 | 889 | 74 | Elec. | 3-way | PE552-E220 | 813 |
| 100 | Single-Acting | 260 | C10010C | SPE10010R | 292 | 20 | Elec. | 2-way | PE172-E220 | 766 |
| 100 | Double-Acting | 333 | RD10013 | SPE10013DS | 889 | 147 | Elec. | 4-way* | PQ1204SE380 | 854 |

† Frame is shipped assembled. *Solenoid valve with 24 volt remote control hand switch.

†† Typical performance based on 7 bar and 700 bar pump specifications. Actual speeds may vary under operating conditions.

‡ Pump standard with press. Other Power Team pumps can be substituted.

dBA at idle and 700 bar: PE172—67/81; PQ120—73/78. Measured at 0,9 m distance, all sides.

H Frame Presses

150-200 Ton Presses

- Standing 2,3 m tall, these giants handle the really big jobs. May be used horizontally for special pressing applications with user-supplied supports.
- Workhead has wide horizontal travel; rugged press frame withstands load of rated capacity across full width of frame.
- Winch mechanism provides easy positioning of press bed, locks in place for insertion of retaining pins. Upper bolster can be lowered 279 mm for convenient positioning on repetitive jobs.
- Uprights are placed for easy side entry of bars or shafts for straightening or bending.
- Fast cylinder approach is provided by PQ1204S "Quiet" electric/hydraulic pump. Has remote control hand switch, enabling operator to view work from all sides with fingertip control of cylinder piston travel.



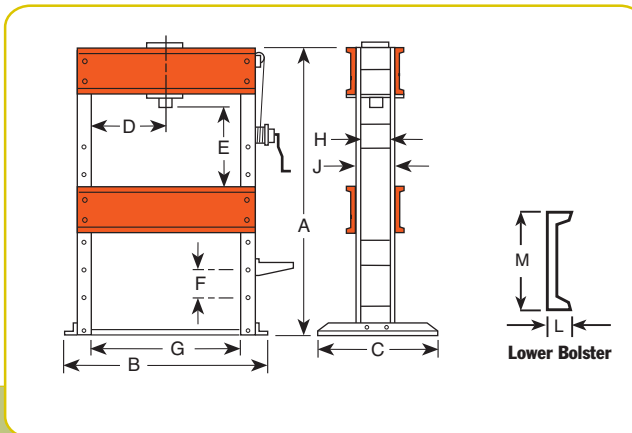
Hydraulic gauge and hydraulic fittings are included with presses.

CE

PUMP ELECTRICAL SPECIFICATIONS

PQ120 Series – 2,24 KW, 380 volt, 50 cycle, three phase.

SHOP EQUIPMENT



DIMENSIONS

| A (mm) | B (mm) | C (mm) | D* (mm) | E (mm) | F (mm) | G (mm) | H (mm) | J (mm) | L (mm) | M (mm) | Floor Space (mm) |
|-----------|-----------|-----------|------------|-----------|-----------|-----------|-----------|-----------|-----------|-----------|---------------------|
| 2.286 | 1.803 | 1,118 | 279-991 | 228-1.111 | 279 | 1.270 | 318 | 381 | 105 | 457 | 1.117 x 1.803 |

*Lateral head movement

ORDERING INFORMATION

| Capacity (tons)† | Type of Cylinder Used | Stroke (mm) | Cylinder Model | Order No. | Speed (mm/min.)†† Advance Pressing | Type Pump | Valve Type | Pump Model*** | Prod. Wt. (kg) |
|---------------------|--------------------------|----------------|-------------------|-------------------|---------------------------------------|--------------|---------------|------------------|-------------------|
| 150 | Double-Acting | 333 | RD15013 | SPE15013DS | 610 99 | Electric | 4-way** | PQ1204S-E380 | 1.366 |
| 200 | Double-Acting | 333 | RD20013 | SPE20013DS | 457 74 | Electric | 4-way** | PQ1204S-E380 | 1.484 |

† Frame is shipped assembled.

†† Typical performance based on 7 bar and 700 bar pump specifications. Actual speeds may vary under operating conditions.

** Solenoid valve with 24 volt remote control hand switch.

*** Pump standard with press. Other Power Team pumps can be substituted. dBA at idle and 700 bar: 73/78, measured at 0,9 m foot distance, all sides.

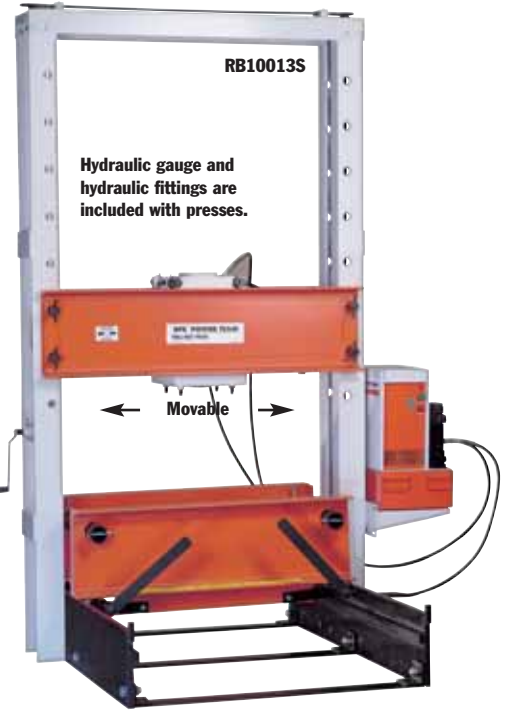
PRESS ACCESSORIES

Page 134-135

Roll-Bed® Press

80-200 Ton
H Frame

CE



Heavy-Duty Straightening Fixtures



No. SF50 – Fixtures for use with 80-ton Roll-Bed® presses or 55-ton heavy-duty shop presses. (2 ea.). Wt. 47,2 kg. **Not part of press, order separately.**



No. SF150 – Fixtures for use with 100-, 150- and 200-ton Roll-Bed® presses and 100-ton shop presses only (1 pr.). Wt.89 kg. **Not part of press, order separately.**

SHOP EQUIPMENT

- The original, patented Roll-Bed® design. Bed rolls out for easy loading and unloading with a crane or other lifting device.
- Movable workhead glides easily side-to-side for full off-center load capacity across width of upper frame.
- "Daylight" is 1.283 x 1.524 mm for 80- and 100-ton models; 1.302 x 1.625 mm on 150- and 200-ton presses.
- Fast approach of double-acting, 334 mm stroke cylinder is provided by PQ1204S "Quiet" electric/ hydraulic pump with remote control hand switch. Operator can view work from all sides with fingertip control of cylinder piston travel.

PRESS FEATURES:

- **Roll-Bed® design** – Bed glides in or out on bearings to make loading and unloading fast and easy.
- Adjustable lower bed width – For secure balancing and centering of heavy jobs. Loosen adjusting bolts to adjust bed from 102 to more than 686 mm. See dimension "H."
- **Movable workhead** – For off-center pressing jobs, workhead moves on bearings across upper bolster. Presses can be used at full capacity, regardless of where workhead is placed.
- **Lifting mechanism** – Simply turn crank handle to raise or lower upper bolster. Screw mechanism raises or lowers both sides evenly (a heavy-duty 1/2" drill motor can replace handle for automatic adjustment). Four locking pins hold bolster in place for pressing.

- **Optional heavy-duty straightening fixtures** – Make straightening jobs easy and accurate to within 0.1 mm! Rollers are ball bearing mounted and handle raises or lowers for easy turning of the work.

PUMP ELECTRICAL SPECIFICATIONS

PQ120 Series – 2,24 KW, 380 volt, 50 cycle, three phase.

NOTE: Different voltage and valve options can be obtained by substituting certain PA, PE or PQ series pumps. Consult the factory.



Lifting screw and locking pins make bolster raising a one-man job.



Bearings make bed positioning smooth and easy.

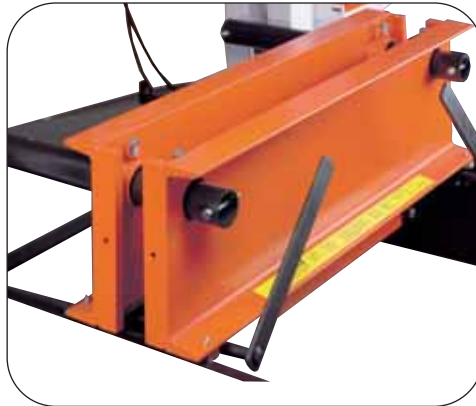


Lever lowers bed for pressing, raises it for rolling.

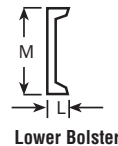
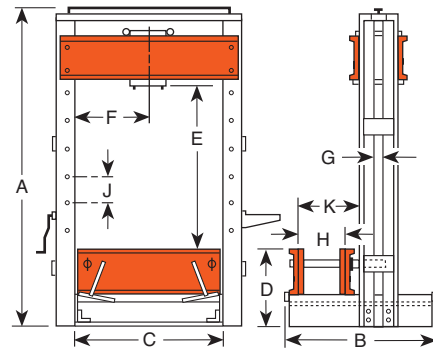
CE



Cylinder is easily moved across width of upper bolster.



Width adjusts from 102 mm to over 686 mm; is secured with locking bolts.



SHOP EQUIPMENT

DIMENSIONS

| Cap (Tons) | A (mm) | B (mm) | C (mm) | D (mm) | E (mm) | F (mm) | G (mm) | H (mm) | J (mm) | K (mm) | L (mm) | M (mm) | Floor Space (mm) |
|------------|--------|--------|--------|--------|-----------|---------|--------|---------|--------|--------|--------|--------|------------------|
| 80 | 2.861 | 1.632 | 1.283 | 686 | 305-1.524 | 368-914 | 76,2 | 102-692 | 203 | 927 | 86 | 381 | 1.632-1.537 |
| 100 | 2.861 | 1.632 | 1.283 | 686 | 305-1.524 | 368-914 | 76,2 | 102-692 | 203 | 927 | 86 | 381 | 1.632-1.537 |
| 150 | 3.131 | 1.734 | 1.302 | 762 | 229-1.626 | 352-949 | 76,2 | 102-689 | 279 | 946 | 105 | 457 | 1.734-1.607 |
| 200 | 3.131 | 1.734 | 1.302 | 762 | 229-1.626 | 352-949 | 76,2 | 102-689 | 279 | 946 | 105 | 457 | 1.734-1.607 |

ORDERING INFORMATION

| Capacity (tons)† | Type of Cylinder Used | Stroke (mm) | Cylinder Model | Order No. | Speed (mm/min.)†† | Type Pump | Valve Type | Pump‡ Model | Prod. Wt. (kg) |
|------------------|-----------------------|-------------|----------------|-----------------|-------------------|-----------|------------|---------------------|----------------|
| 80 | Double Acting | 333 | RD8013 | RB8013S | 1.168 | 190 | Elec. | 4-way* PQ1204S-E380 | 1.307 |
| 100 | Double Acting | 333 | RD10013 | RB10013S | 889 | 147 | Elec. | 4-way* PQ1204S-E380 | 1.334 |
| 150 | Double Acting | 333 | RD15013 | RB15013S | 610 | 99 | Elec. | 4-way* PQ1204S-E380 | 2.019 |
| 200 | Double Acting | 333 | RD20013 | RB20013S | 457 | 74 | Elec. | 4-way* PQ1204S-E380 | 2.059 |

* Solenoid valve with 24 volt remote control hand switch.

† Frame is shipped assembled.

‡ Pump standard with press. Other Power Team pumps can be substituted. dBA at idle and 700 bar: PQ120-73/78; measured at 0,9 m distance, all sides.

†† Typical performance based on 7 bar and 700 bar pump specifications. Actual speeds may vary with operating conditions.

Shop Press ACCESSORIES

SHOP EQUIPMENT

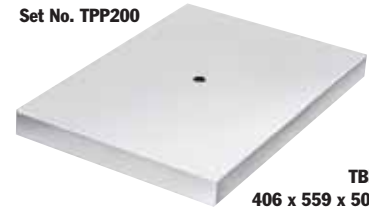
Rubber Tire Removing/Installing set

Now an easy way to press solid rubber tires.

The TPP200 uses plates instead of combination rings to press a rim from an old tire into a new one. Plates are stacked so none is more than 50,8 mm smaller than the one under it to keep the plates from bending. They can be used on any Power Team press with 55-ton capacity or more. NOTE: Many tires require 100 tons of force or more, depending on tire size and condition. These plates withstand max. force of 150 tons.

No. TPP200 – Tire press plate set. Includes 13 press plates, spacer pushing adapter and press bed plate. For use on solid rubber tires from 102 mm to 451 mm I.D.

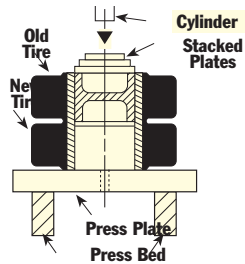
Set No. TPP200



TBP1622
406 x 559 x 50,8 mm



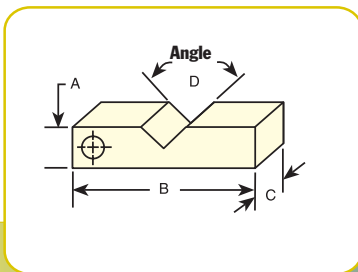
TPP1 – TPP13 **TPS6**
98,4 x 448 x 19,1 mm 95,3 x 152,4 mm



Pressing rim into
new tire on Power
Team Press.

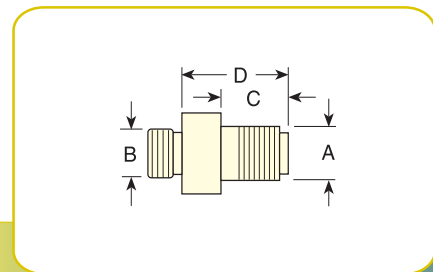
| Order No. | Set No. TPP200 Tire Size I.D. (mm) | Plate O.D. (mm) |
|-----------|---------------------------------------|--------------------|
| TPP1 | 102 | 98,4 |
| TPP2 | 127 | 123,8 |
| TPP3 | 152,159 | 149,2 |
| TPP4 | 165 | 161,9 |
| TPP5 | 203 | 200 |
| TPP6 | 254 | 250,8 |
| TPP7 | 267 | 263,5 |
| TPP8 | 286 | 282,6 |
| TPP9 | 305,308 | 301,6 |
| TPP10 | 356 | 352,4 |
| TPP11 | 381 | 377,8 |
| TPP12 | 406 | 403,2 |
| TPP13 | 451 | 447,7 |
| TPS6 | Spacer/Pushing Adapter | 82,6 x 152,4 |
| TBP1622 | Bed Plate | 406 x 559 x 51 |

PRESS ACCESSORIES, "V" BLOCKS & THREADED ADAPTERS



V-BLOCKS (mm)

| Order No. | Width A (mm) | Length B (mm) | Thick C (mm) | Angle D |
|-----------|-----------------|------------------|-----------------|------------|
| 1890 | 50,8 | 228,6 | 31,8 | 120° |
| 1891 | 63,5 | 292,1 | 44,5 | 120° |
| 1892 | 88,9 | 355,6 | 50,8 | 120° |
| 1893 | 127 | 355,6 | 38,1 | 120° |
| 207395 | 146,1 | 584,2 | 63,5 | 120° |



THREADED ADAPTER DIMENSIONS

| Adapter No. | A | B | C (mm) | D (mm) |
|-------------|---------------|-----------|--------|--------|
| 38597 | 1- 8 | 1- 8 | 19,1 | 33,3 |
| 38953 | 1 1/4 - 7 | 1 1/2 -16 | 69,9 | 111,1 |
| 37368 | 1 5/8 - 5 1/2 | — | 42,9 | 63,5 |
| 43562 | 2 1/4 - 12 | — | 57,2 | 76,2 |
| 38954 | 1 5/8 - 5 1/2 | 1 1/2 - 8 | 82,6 | 106,4 |
| 43563 | 2 1/4 - 12 | 2 3/4 -12 | 57,2 | 81 |
| 46070 | 2 1/4 - 12 | 2 - 4 1/2 | 57,2 | 81 |

Press Accessory Kit

Make your Power Team press even more versatile with one of these accessory sets. These sets will eliminate makeshift set-ups. Many of these items can be used with pullers you already have.



ORDERING INFORMATION

| Use With Press: | Order No. | A V-Throat Press Plate | B V-Blocks | C Pushing Adapter | D Pushing Adapter | E V-Pushing Adapter | F Threaded Adapter | | G Pushing Adapter |
|-----------------|---------------|---------------------------|---------------|-------------------------------------|------------------------------------|------------------------|--|---------------------|----------------------|
| | | | | | | | Single-Acting Cyls. | Double-Acting Cyls. | |
| 10 Ton | SPA10 | 1888 | 1890 (Pr.) | 201923 12,7 mm dia. shank | 201454 19 mm dia. shank | 34806 | Included in Set 38597 | — 38597 | |
| 25 Ton | SPA25 | 1889 | 1891 (Pr.) | 34510 19 mm dia. shank | 34511 25,4 mm dia. shank | 34807 | Included in Set 38953 | — 38953 | |
| 55 Ton | SPA55 | — | 1892 (Pr.) | 34755 25,4 mm dia. shank | 34756 31,8 mm dia. shank | 34808 | Not Included Order Separately 37368 | — 38954 | |
| 80/100 Ton | SPA100 | — | 1893 ** (Pr.) | — | — | 36469 43562 | Not Included Order Separately 43562 46070 *** | — 43563 46070 | 21332 |
| 150/200 Ton | SPA200 | — | 207395 (Pr.) | — | 44458 57,1 mm dia. shank | 44457 | None* | — | — |

* Pushing adapters thread directly into RD15013 and RD20013 cylinders.

** V-blocks, No. 1893, are recommended for use with 80-ton Roll-Bed® press. Not recommended for use with 100-ton Roll-Bed®.

*** For 80-ton Roll-Bed® press.

NOTE: Individual press accessories may be ordered separately.



CAUTION: Pushing adapters are designed for use with specific shaft sizes, and depending on the condition of the shaft ends, the adapter may not withstand the full press tonnage. Always use a protective blanket or other suitable guard when pressing.

Mobile Floor Cranes

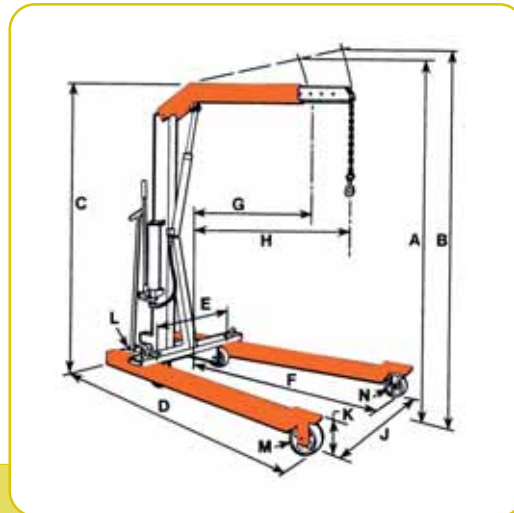
1000- 2000 kg

SHOP EQUIPMENT

1000 kg and 2000 kg capacity with space-saving fold-away feature



U.S. Patent No. 3,367,512
Patented 1969 Canada



- Adjustable legs spread to clear obstacles, telescoping boom for extra reach. Rugged construction, reliable hydraulics.
- Boom collapses completely and legs fold for compact storage.
- 2-speed hydraulic hand pump provides fast boom travel and precise operator controlled descent.
- Roller bearing wheels and a steering dolly provide ease of mobility. Lifting chain is included.

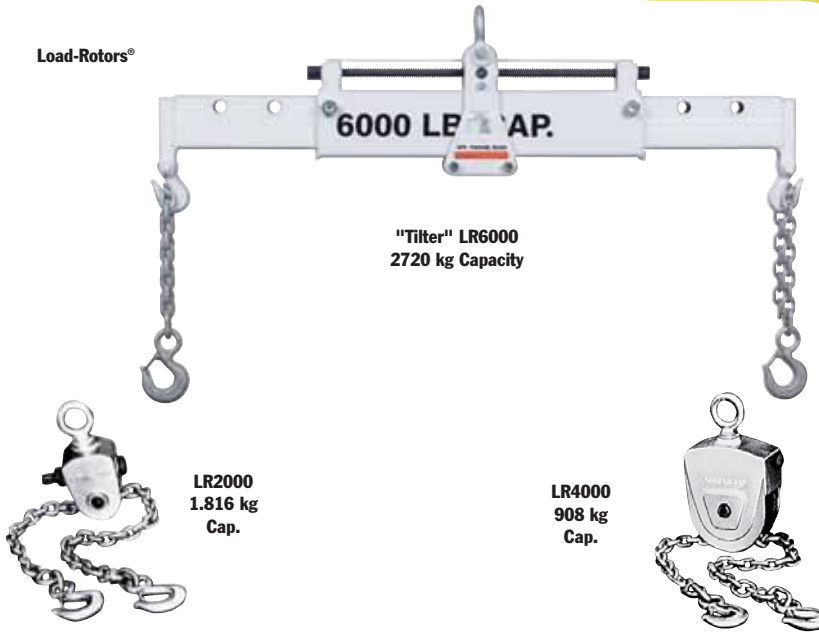
No. FC4400 – 2000 kg cap. crane with fold-away feature, adj. leg spread, lifting chain and 2-speed hand pump. Wt.293 kg.

DIMENSIONS

| | FC2200* | FC4400* |
|---------------------------------|--------------------------------|----------------------------------|
| Cap., boom ret. (kg) | 1.000 | 2.000 |
| Cap., boom ext. (kg) | 750 | 1.500 |
| A Max. boom hgt., ret (mm) | 2,718 | 2.819 |
| B Max. boom hgt., ext.(mm) | 2.972 | 3.099 |
| C Overall hgt., boom horiz.(mm) | 2.032 | 2.083 |
| D Overall length (mm) | 2.108 | 2.261 |
| E Min. throat width (mm) | 610 | 635 |
| F Inside leg length (mm) | 1.372 | 1.461 |
| G Eff. boom reach -ret.(mm) | 838 | 902 |
| H Eff. boom reach -ext. (mm) | 1.219 | 1.238 |
| J Inside leg width (mm) | 610-914-1.219 (3 -position) | 660-1.016-1.333 (3 -position) |
| K Leg height (mm) | 203 | 241 |
| L Dolly wheel diameter(mm) | 127 | 127 |
| M Wheel diameter (mm) | 152 | 203 |
| N Caster diameter (mm) | 152 | 152 |
| space, folded (mm) | 686 x 965 | 787 x 1.067 |
| Height, folded (mm) | 2.007 | 2.184 |

*Frame shipped unassembled.

Load-Rotors®



6000 LE TILTER AP.

"Tilter" LR6000
2720 kg Capacity

LR2000
1.816 kg
Cap.

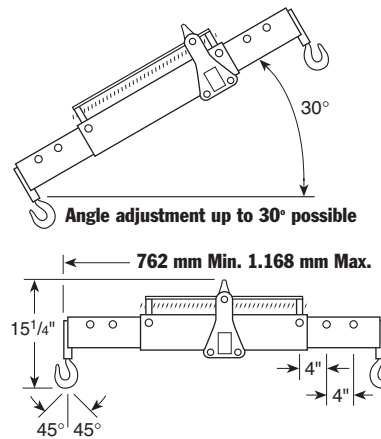
LR4000
908 kg
Cap.

Load-Rotors®
TILTERS

908-2720 kg

SHOP EQUIPMENT

- For lifting or positioning components, Power Team's heavy duty lifting slings are just right.
- The heavy-duty Load-Rotors®, when used with a crane or hoist, greatly reduce time and effort.
- A self-locking worm and gear set in the Load-Rotor® head permits rapid angle adjustment of the component being handled.
- Whenever you have big, heavy components to move or position, nothing helps you get the job done easier and faster than the 2.720 kg "Tilter."



The working length is adjustable in three positions from 762 mm to 1.168 mm. Maximum chain angle is 45°.

ORDERING INFORMATION

| Capacity (kg) | Order No. | Chain Size (mm) | Chain Lg. W/ Swivel Hooks (mm) | Lifting Eye Opening (mm) | Hex Drive End (in) | Gear Ratio | Product Wt. (kg) |
|---------------|-----------|-----------------|--------------------------------|--------------------------|--------------------|------------|------------------|
| 2000 | LR2000 | 6,4 | 1.422 | 31,8 | 5/8 | 34:1 | 4,1 |
| 4000 | LR4000 | 7,9 | 1.650 | 44,5 | 5/8 | 82:1 | 10,4 |
| 6000 | LR6000 | 7,9 | 1.650 | 41,3 | 5/8 | 82:1 | 33,1 |